

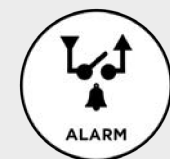
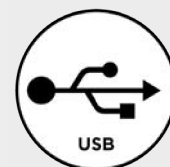
Risycor CXI

Corrosion monitor with alarm function

+

X-fix

Threaded connector



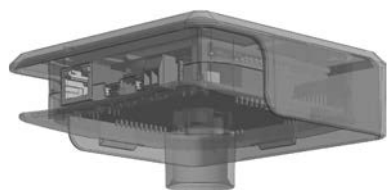
Specification text

Risycor CXI corrosion monitor with alarm function for heating and cooling systems and remote readout of data through internet using a suitable cloud application*.

Mounted perpendicular to the pipe with the threaded connector X-fix, which places the metal coupon at the tip of the probe in the water flow. The oxidation of this coupon is representative of the uniform corrosion within the system. The logger records the corrosion rate against time and warns of inadmissible values or a defect. The memory can be read out with a computer*.

* See technical data

Components



Risycor CXI
Logger



Mains adaptor with USB-cable



Risycor CX
Probe
Art. No. : 2001050



X-fix
Threaded connector



Risycor CXI-fix set

Incl. manual
Art. No. : 1002031
1002061 (UK)

Technical data

Outputs, signals, alarm

Visual:

- Various LEDs for display of operating and alarm status

USB:

- Memory readout*

Wired network:

- CXI: readout through internet using a suitable cloud application*

Volt-free contact for:

- Building management system, remote surveillance, other signal transmitter (SMS module, audible alarm, flashing light, ...), shutting down of the boiler, ...

Alarm in case of:

- Corrosion rate too high (adjustable)
- Fault in the corrosion monitor
- End of the service life of the metal coupon on the probe

* See also related products

Characteristics

Physical:

- Pressure range: 0 to 6 bar
- Temperature range: 5 to 95 °C, integrated temperature compensation
- Environment: 0 to 45 °C, no condensation
- Storage: -20 to 60 °C

- Risycor CX probe: PPS
- Risycor CXI logger: PC
- Coupon: Fe
- X-fix threaded connector: brass CW614N
- See also dimensions

Electrical:

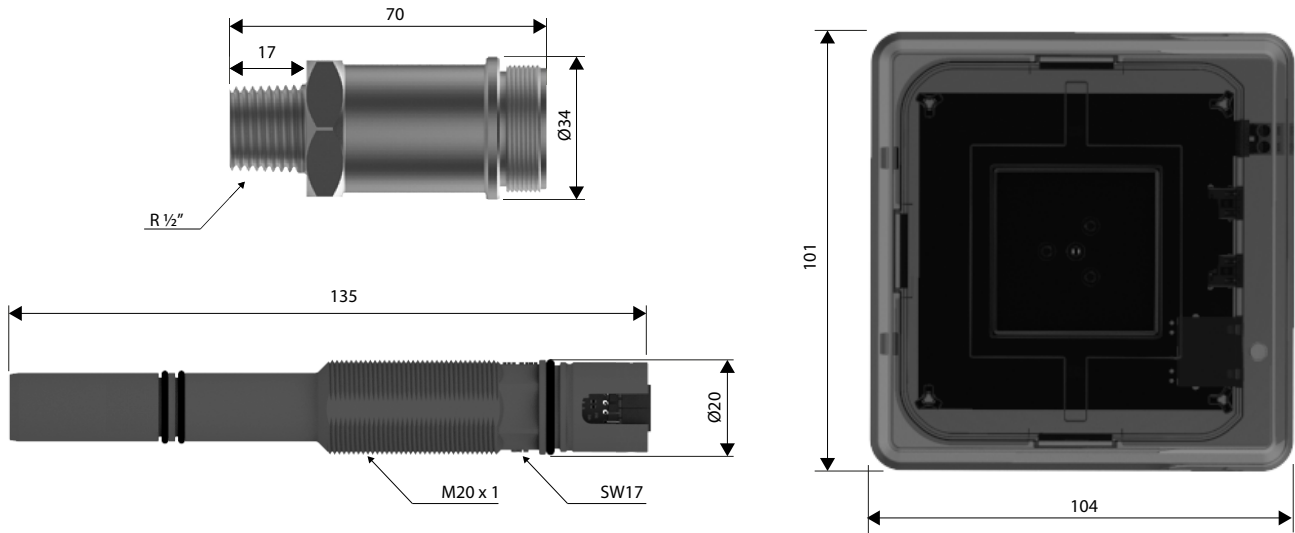
- Mains adaptor: CEE 7/16, 230 VAC, 50 Hz
→ 5 VDC USB-A
- USB-cable: USB-A → USB-C
- Power consumption: 6 W
- Volt-free contact
 - nominal 24 VDC/VAC, 100 mA
 - max. 48 VDC/VAC, 2 A, 60 W
- RJ45
- IP52

Others

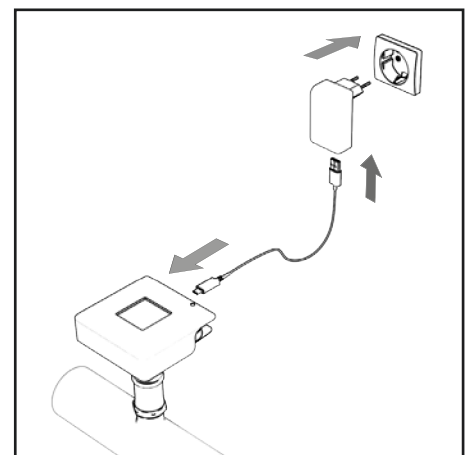
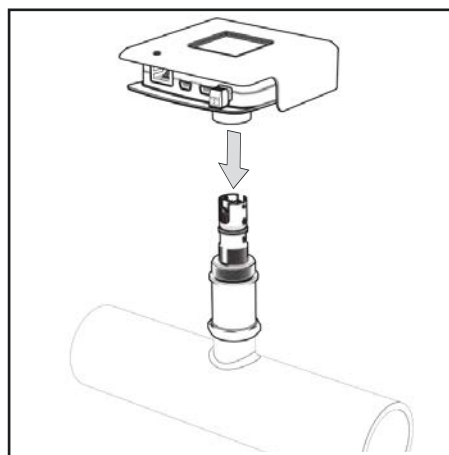
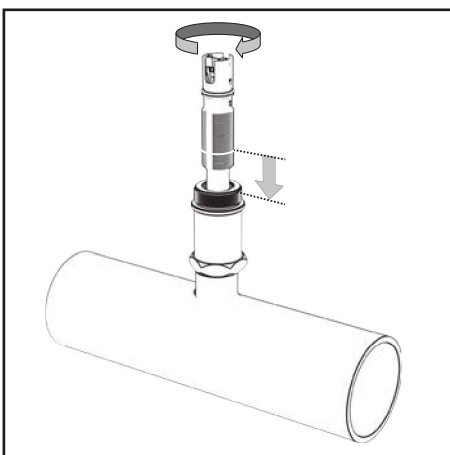
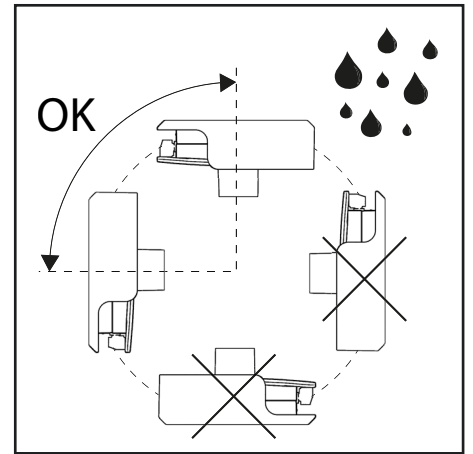
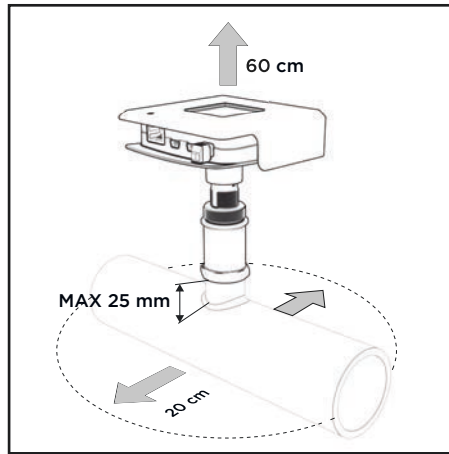
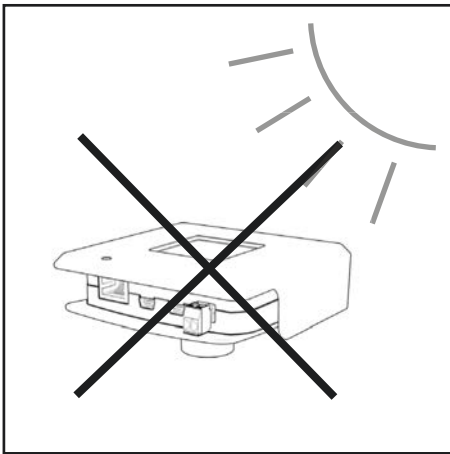
- Autonomy of the memory: 10+ years
- Data storage: every 7 hours

☐ Dimensions (nominal)

- Risycor CXI logger 101 mm * 104 mm * 32 mm
- Risycor CX probe Ø20 mm * 135 mm
- X-fix threaded connector Ø34 mm * 70 mm with R 1/2" thread (max. 25 mm deep!)
- Mains adaptor 65 mm * 64 mm * 39 mm
- USB-cable cable length 1,5 m
- Carton packaging 256 mm * 192 mm * 64 mm
- Total weight 860 g



☐ Assembly tips



Application

The philosophy behind the application of the Risycor is explained in detail in the document “Application guideline”.

Related products



Resus Dashboard

Free software for reading and analysing the collected data.

Resus PC Dashboard (Windows): USB directly connected or via saved .CSV files (CX2 & CXI)

Resus Cloud Dashboard: online internet version (CXI)



Retractor Art. No. : 3001020

Specific tool to service any X-probe during normal operation of the system without interruption.



Resus nv
Bredabaan 839
B-2170 MERKSEM (Antwerp)
Belgium

t +32 3 640 33 91
f +32 3 640 33 93

www.resus.eu